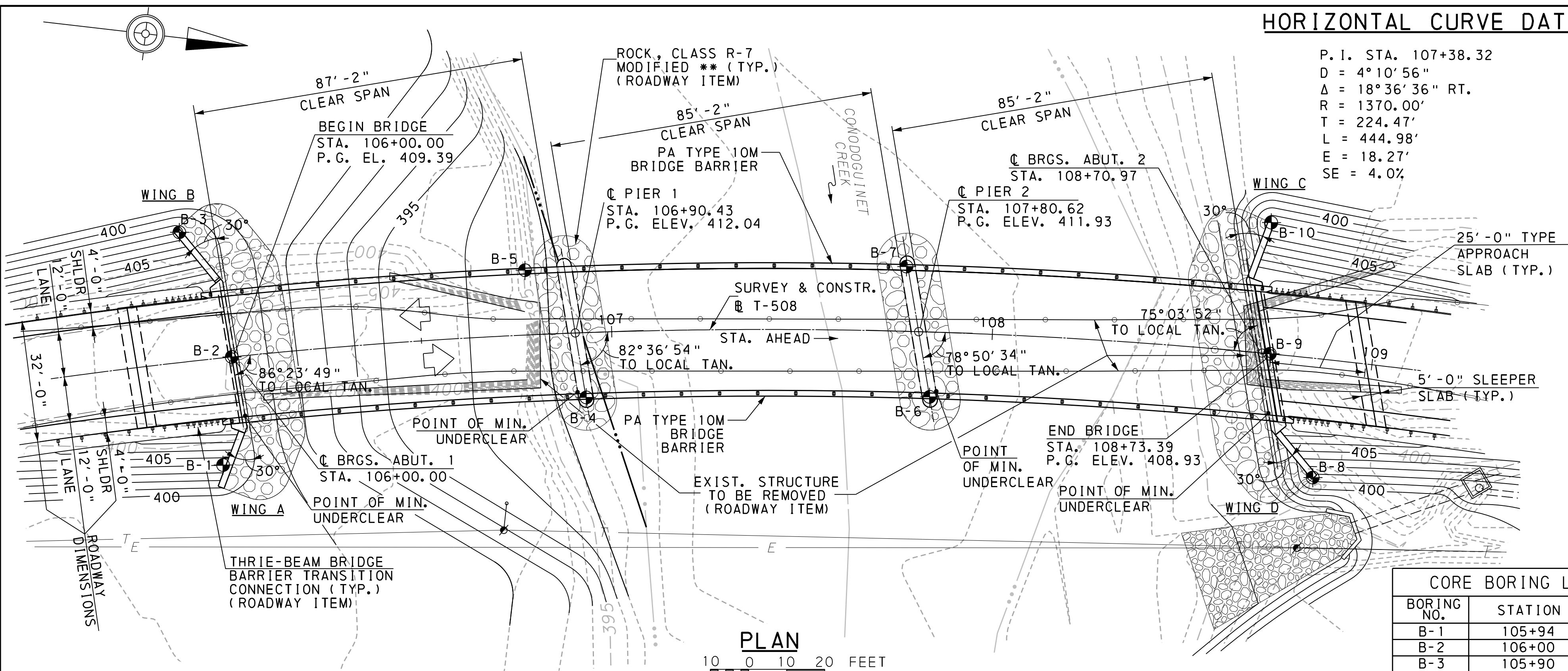
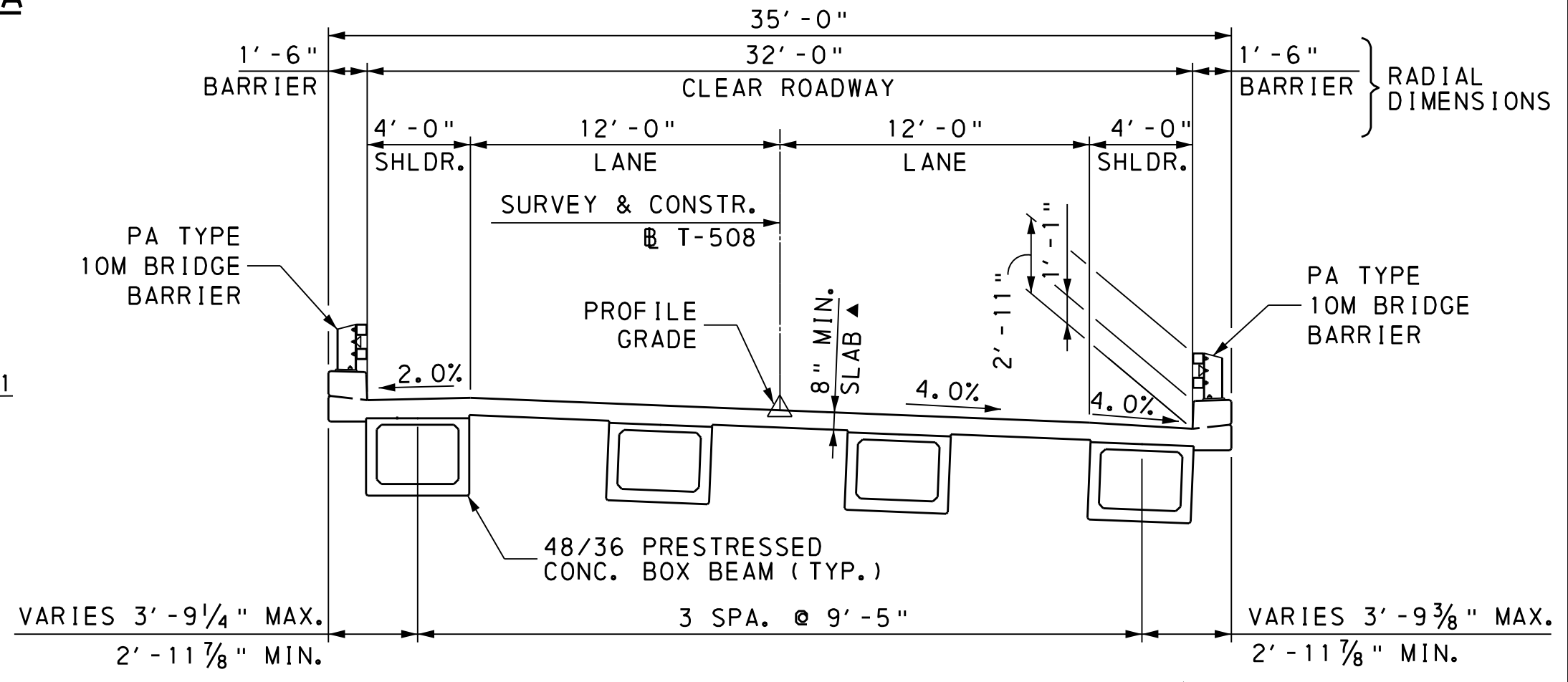


HORIZONTAL CURVE DATA

P. I. STA. 107+38.32
 D = 4°10'56"
 Δ = 18°36'36" RT.
 R = 1370.00'
 T = 224.47'
 L = 444.98'
 E = 18.27'
 SE = 4.0%



PLAN
 10 0 10 20 FEET

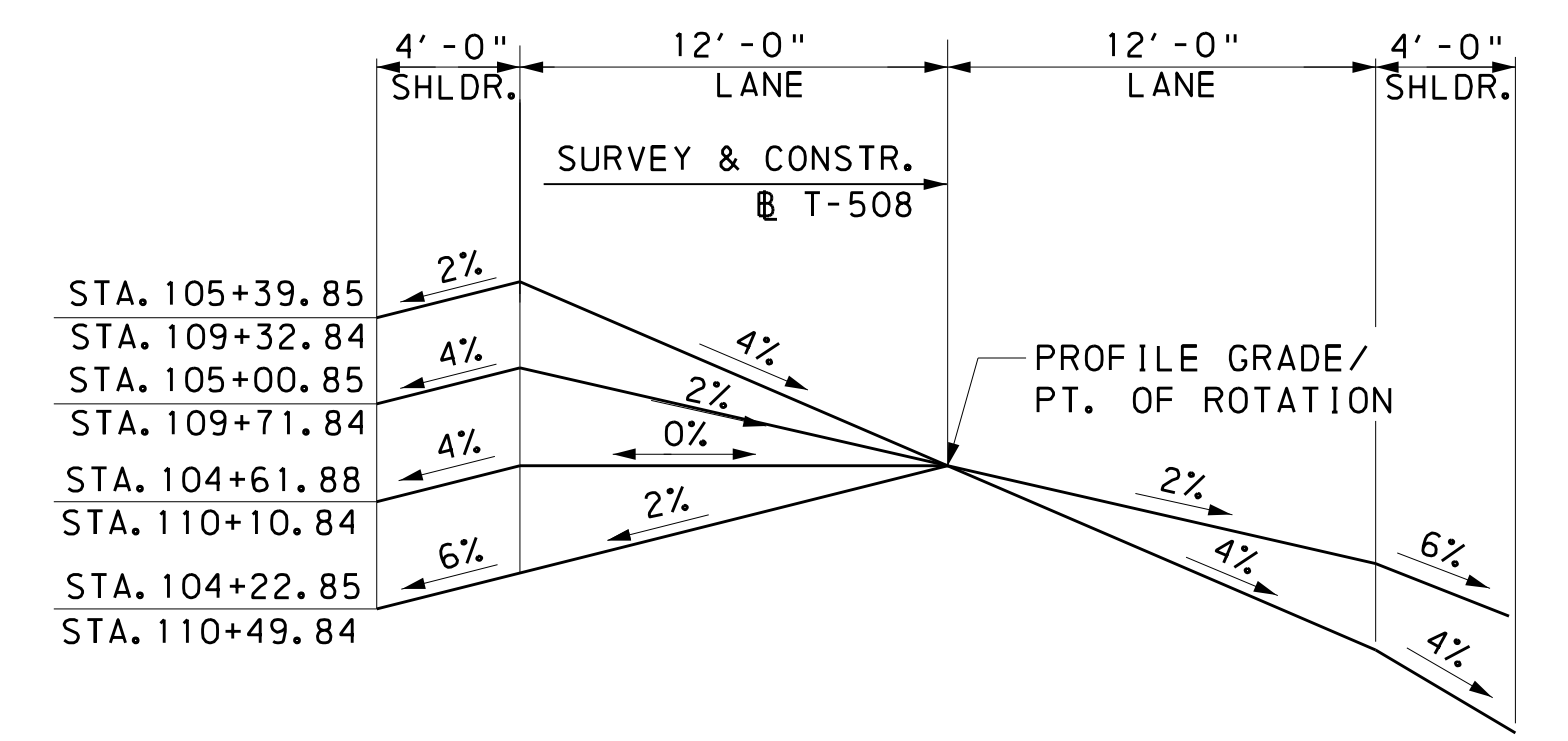


TYPICAL SECTION
 2 0 2 4 6 FEET

CORE BORING LOCATIONS

BORING NO.	STATION	OFFSET
B-1	105+94	28' RT
B-2	106+00	0.00'
B-3	105+90	34' LT
B-4	106+93	17' RT
B-5	106+78	17' LT
B-6	107+84	17' RT
B-7	107+77	17' LT
B-8	108+88	31' RT
B-9	108+73	0.00'
B-10	108+70	34' LT

⊙ DENOTES CORE BORING LOCATION
 OFFSETS ARE FROM SURVEY & CONSTR. T-508 (WOLF BRIDGE ROAD)



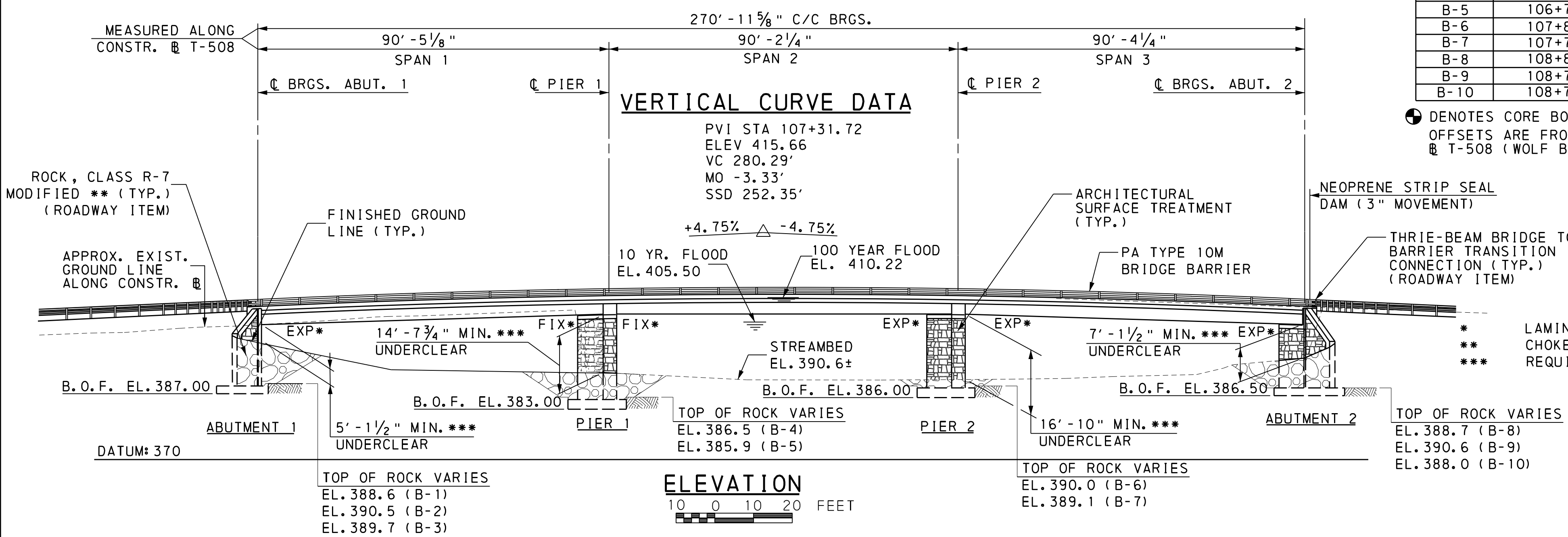
SUPERELEVATION TRANSITION DIAGRAM

NOTES:
 1. FOR INDEX OF DRAWINGS, SEE SHEET 2.

Mark	Description	By	Chk'd	Rec'd	Date
REVISIONS					

VERTICAL CURVE DATA

PVI STA 107+31.72
 ELEV 415.66
 VC 280.29'
 MO -3.33'
 SSD 252.35'



ELEVATION
 10 0 10 20 FEET

LEGEND

- E — EXISTING OVERHEAD ELECTRIC LINE
- T — EXISTING OVERHEAD TELEPHONE LINE
- 400 — PROPOSED CONTOUR
- 400 — EXISTING CONTOUR
- ➔ TRAFFIC DIRECTION

HYDRAULIC DATA

DRAINAGE AREA = 389 SQ. MI.
 DESIGN FLOOD:
 FREQUENCY = 25 YEARS
 MAGNITUDE = 16,000 CFS
 VELOCITY = 4.4 FPS
 ELEVATION = 406.43
 100 YR. FLOOD:
 MAGNITUDE = 21,948 CFS
 VELOCITY = 4.7 FPS
 ELEVATION = 410.22
 FLOOD OF RECORD: N/A

PREPARED BY
 HERBERT, ROWLAND AND GRUBIC INC.
 369 EAST PARK DRIVE
 HARRISBURG, PA 17111

DESCRIPTION	DWG. NO.	DATE
TYPICAL WATERPROOFING & EXPANSION DETAILS	BC-788M	11/21/14
MISCELLANEOUS PRESTRESS DETAILS	BC-775M	11/26/13
NEOPRENE STRIP SEAL DAM FOR PRESTRESSED CONCRETE & STEEL I-BEAM BRIDGES	BC-767M	11/26/13
BEARINGS	BC-755M	11/26/13
CONCRETE DECK SLAB DETAILS	BC-752M	11/21/14
BRIDGE DRAINAGE	BC-751M	11/21/14
REINFORCEMENT BAR FABRICATION DETAILS	BC-736M	5/18/12
WALL CONSTRUCTION & EXPANSION JOINT DETAILS	BC-735M	10/26/10
PERMANENT METAL DECK FORMS	BC-732M	10/26/10
PA TYPE 10M BRIDGE BARRIER	BC-709M	11/21/14
THRIE-BEAM TO PA TYPE 10M BRIDGE BARRIER TRANSITION CONNECTION	BC-708M	11/26/13
TYPE 2 STRONG POST GUIDE RAIL	RC-52M	6/1/10
GUIDE RAIL TRANSITION AT END OF STRUCTURE	RC-50M	6/1/10
BACKFILL AT STRUCTURES	RC-12M	6/1/10
CLASSIFICATION OF EARTHWORK FOR STRUCTURES	RC-11M	6/1/10
DESCRIPTION	DWG. NO.	DATE

SUPPLEMENTAL DRAWINGS

COMMONWEALTH OF PENNSYLVANIA
 DEPARTMENT OF TRANSPORTATION

CUMBERLAND COUNTY
 MIDDLESEX TOWNSHIP
 T-508 (WOLF BRIDGE ROAD) STA. 107+35.50
 OVER CONODOGUINET CREEK
 THREE SPAN CONT. COMPOSITE PRESTRESSED
 CONCRETE SPREAD BOX BEAM BRIDGE
 GENERAL PLAN

RECOMMENDED _____ SHEET 1 OF _____
 _____ + SUPPLEMENTAL DRAWINGS
 BRIDGE ENGINEER L-12

FILE NAME: P:\0044\004440_0437\A\microstation\BRIDGE\04440437GP.dgn
 PLOTTED: 12/14/2018 7:42:15 AM gmltkovic
 PEN TABLE: file_date_user_fb
 PLOT DRIVER: R:\microstation\bridge\pdf_bw_full.pltfcg